

# Catifa 46

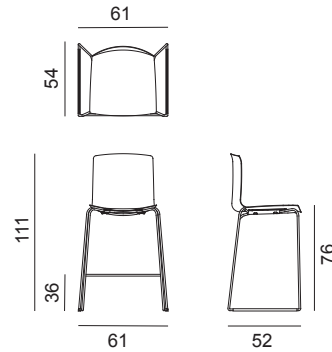
Design by Lievore Altherr Molina, 2012

## Art. 0305

Stool with chromed or powdercoated steel sled base and Polypropylene shell with cushion upholstered in fabric, leather, faux leather or customer's own material applied to the seat surface. Seat height 76 cm. Glides for wooden floors available upon request.



### Dimensions \*



\* File CAD 2D - 3D available for download at [www.arper.com](http://www.arper.com)

### Frame Base



### Shell

#### Polypropylene



PO Polypropylene two colors  
PO Polypropylene one color

#### Carded In



#### Graded In

**kvadrat**

**camira**



DESIGN  
TEX



**Gabriel**



**svensson**

**maharam**

**Serge Ferrari**

# Catifa 46

Design by Lievore Altherr Molina, 2012

## Accessories:



Stacking protection pad Art. 0499



Trolley Art. 0760

## SHIPMENT DETAILS

### Art.0305

1 pz = 2 - kg 14,4/ m<sup>2</sup> 0,38

4 pz = 2 - kg 46,44/ m<sup>2</sup> 0,5

## TECHNICAL SPECIFICATIONS

### Art.0305

COL requirement m<sup>2</sup> 0.48

H 140 cm. COM Meterage ml 0.59

Frame base finishes: indoor use only

## RESISTANCE TEST

- EN 1728:2000 - EN 15373:2007 6.12
- EN 1728:2000 - EN 15373:2007 6.2.1
- EN 1728:2000 - EN 15373:2007 6.4
- EN 1728:2000 - EN 15373:2007 6.8
- EN 15373:2007 A.5

- EN 1728:2000 - EN 15373:2007 6.13
- EN 1728:2000 - EN 15373:2007 6.2.2
- EN 1728:2000 - EN 15373:2007 6.7
- ANSI-BIFMA X5.1-2002 12

## FIRE RETARDANT TEST

Classe 1IM Cava 3 Divina MD Divina Melange 2 Divina 3 Hallingdal 65 Pro 3 Soft leather Tonus 4 Faux leather Valencia • California TB117-2013 Cava 3 Clara Canvas Divina MD Divina Melange 2 Divina 3 Soft leather Elmosoft Field Hallingdal 65 Jet Jumper 3 Pro 3 Soft leather Remix 2 Savanna Steelcut 2 Scuba Steelcut Trio 2 Steelcut Trio 3 Sunniva Sunniva 2 Tonus 4 Tempo Faux leather Valencia • BS5852 Sch. 4 Part 1 Cava 3 Divina MD Divina Melange 2 Divina 3 Soft leather Elmosoft Hallingdal 65 Pro 3 Tonus 4 Faux leather Valencia • BS5852 Sch. 5 Part 1 Cava 3 Clara Canvas Divina MD Divina Melange 2 Divina 3 Soft leather Elmosoft Hallingdal 65 Soft leather Remix 2 Savanna Steelcut 2 Steelcut Trio 2 Steelcut Trio 3 Tonus 4 Faux leather Valencia • EN 1021 - 1 Divina MD Divina Melange 2 Divina 3 Soft leather Elmosoft Field Hallingdal 65 Pro 3 Soft leather • EN 1021 - 2 Divina MD Divina Melange 2 Divina 3 Soft leather Elmosoft Field Hallingdal 65 Pro 3 Soft leather

## ENVIRONMENTAL CERTIFICATIONS

### Stackability:

- With stacking protection pad: up to 8 pcs. (should the weight exceed 25 kilos a handling tool must be used).
- With stacking protection pad and trolley: up to 8 pcs.
- Soft leather - faux leather versions: max. 5 pcs. with stacking pad

arper

F +39 0422 791800

T +39 0422 7918

www.arper.com

# Catifa 46

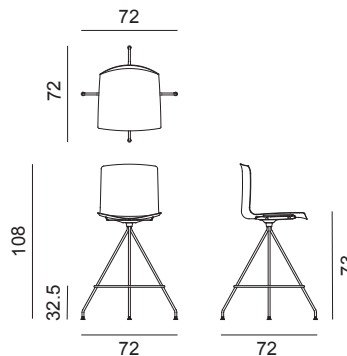
Design by Lievore Altherr Molina, 2012

## Art. 0307

High stool on swivelling, chromed steel base. The shell with high backrest is in polypropylene with cushion upholstered in fabric, leather, faux leather or customer's material applied to the seat surface. Seat height 73 cm. Backrest height 108 cm.



### Dimensions \*



\* File CAD 2D - 3D available for download at [www.arper.com](http://www.arper.com)

### Frame Base



CRO

### Shell

#### Polypropylene



PO  
Polypropylene  
two colors



PO  
Polypropylene  
one color

#### Carded In



Canvas  
Kvadrat



Cava 3  
Kvadrat



Clara 2  
Kvadrat



Divina 3  
Kvadrat



Divina MD  
Kvadrat



Divina Melange 2  
Kvadrat



Field  
Kvadrat



Fiord  
Kvadrat



Floyd  
Kvadrat



Hallingdal 65  
Kvadrat



Pause 4  
Kvadrat



Pro 3  
Kvadrat



Remix 2  
Kvadrat



Revive 1  
Kvadrat



Rime  
Kvadrat



Savanna  
Kvadrat



Scuba  
Kvadrat



Steelcut 2  
Kvadrat



Steelcut Trio 3  
Kvadrat



Tempo  
Kvadrat



Tonus 4  
Kvadrat



Umami  
Kvadrat



Jet  
Fidivi



Style  
Fidivi



Valencia  
Faux leather  
Spradling



Soft leather



Elmosoft®  
Leather

#### Graded In

**kvadrat**

**camira**



DESIGN  
TEX



**Gabriel**



**svensson**

**maharam**

**Serge Ferrari**

# Catifa 46

Design by Lievore Altherr Molina, 2012


## Accessories:




Set of glides Art. 2015

## SHIPMENT DETAILS

### Art.0307

1 pz = 2  - kg 16,16/ m<sup>2</sup> 0,33

4 pz = 5  - kg 58,48/ m<sup>2</sup> 1,01

## RESISTANCE TEST

- EN 1728:2012 - EN 16139:2013 6.17
- EN 1728:2012 - EN 16139:2013 6.21
- EN 1728:2012 - EN 16139:2013 6. 4
- EN 1728:2012 - EN 16139:2013 6. 8
- EN 1728:2012 - EN 16139:2013 6.18
- EN 1728:2012 - EN 16139:2013 6.24
- EN 1728:2012 - EN 16139:2013 6. 5

## TECHNICAL SPECIFICATIONS

### Art.0307

COL requirement m<sup>2</sup> 0.48

H 140 cm. COM Meterage ml 0.59

## FIRE RETARDANT TEST

Classe 1IM Cava 3 Divina MD Divina Melange 2 Divina 3 Hallingdal 65 Pro 3 Soft leather Tonus 4 Faux leather Valencia • California TB117-2013 Cava 3 Clara Canvas Divina MD Divina Melange 2 Divina 3 Soft leather Elmosoft Field Hallingdal 65 Jet Jumper 3 Pro 3 Soft leather Remix 2 Savanna Steelcut 2 Scuba Steelcut Trio 2 Steelcut Trio 3 Sunniva Sunniva 2 Tonus 4 Tempo Faux leather Valencia • BS5852 Sch. 4 Part 1 Cava 3 Divina MD Divina Melange 2 Divina 3 Soft leather Elmosoft Hallingdal 65 Pro 3 Tonus 4 Faux leather Valencia • BS5852 Sch. 5 Part 1 Cava 3 Clara Canvas Divina MD Divina Melange 2 Divina 3 Soft leather Elmosoft Hallingdal 65 Soft leather Remix 2 Savanna Steelcut 2 Steelcut Trio 2 Steelcut Trio 3 Tonus 4 Faux leather Valencia • EN 1021 - 1 Divina MD Divina Melange 2 Divina 3 Soft leather Elmosoft Field Hallingdal 65 Pro 3 Soft leather • EN 1021 - 2 Divina MD Divina Melange 2 Divina 3 Soft leather Elmosoft Field Hallingdal 65 Pro 3 Soft leather

## ENVIRONMENTAL CERTIFICATIONS

arper

F +39 0422 791800

T +39 0422 7918

www.arper.com

# Catifa 46

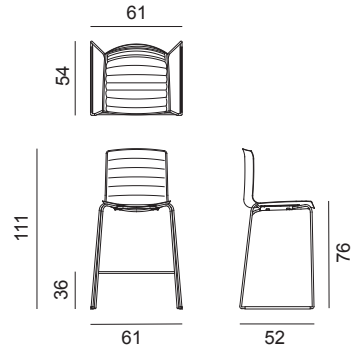
Design by Lievore Altherr Molina, 2013

## Art. 0321

Stool with chromed or powdercoated steel sled base and polypropylene shell upholstered with a removable non-washable cover in leather, faux leather, fabric or customer's own material. The chair is provided already fitted with the cover. Glides for wooden floors available upon request. Seat height 76 cm.



### Dimensions \*



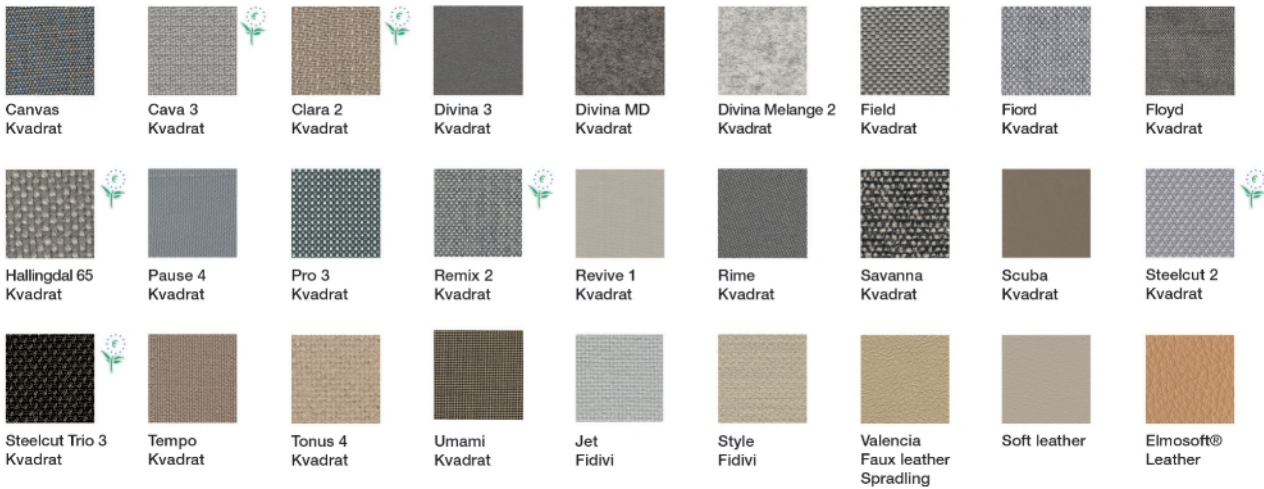
\* File CAD 2D - 3D available for download at [www.arper.com](http://www.arper.com)

### Frame Base



### Shell

#### Carded In



#### Graded In

**kvadrat**

**camira**



DESIGN  
TEX



**Gabriel**



**svensson**

**maharam**

**Serge Ferrari**

# Catifa 46

Design by Lievore Altherr Molina, 2013

## Accessories:



Stacking protection pad Art. 0499



Trolley Art. 0760

## SHIPMENT DETAILS

### Art.0321

1 pz = 2 - kg 13/ m<sup>2</sup> 0,37

4 pz = 2 - kg 45/ m<sup>2</sup> 0,49

## TECHNICAL SPECIFICATIONS

### Art.0321

COL requirement m<sup>2</sup> 1,98

H 140 cm. COM Meterage ml 1,08

The cover stitching comes in the same color as the upholstery. Stitching on cover 1 and 3 comes in white or black, to customer's choice.

Frame base finishes: indoor use only

## RESISTANCE TEST

- EN 1728:2000 - EN 15373:2007 6.12
- EN 1728:2000 - EN 15373:2007 6.2.1
- EN 1728:2000 - EN 15373:2007 6.4
- EN 1728:2000 - EN 15373:2007 6.8
- EN 15373:2007 A.5

- EN 1728:2000 - EN 15373:2007 6.13
- EN 1728:2000 - EN 15373:2007 6.2.2
- EN 1728:2000 - EN 15373:2007 6.7
- ANSI-BIFMA X5.1-2002 12

## FIRE RETARDANT TEST

Classe 11M Cava 3 Divina MD Divina Melange 2 Divina 3 Hallingdal 65 Pro 3 Soft leather Tonus 4 Faux leather Valencia • California TB117-2013 Cava 3 Clara Canvas Divina MD Divina Melange 2 Divina 3 Soft leather Elmosoft Field Hallingdal 65 Jet Jumper 3 Pro 3 Soft leather Remix 2 Savanna Steelcut 2 Scuba Steelcut Trio 2 Steelcut Trio 3 Sunniva Sunniva 2 Tonus 4 Tempo Faux leather Valencia • BS5852 Sch. 4 Part 1 Cava 3 Divina MD Divina Melange 2 Divina 3 Soft leather Elmosoft Hallingdal 65 Pro 3 Tonus 4 Faux leather Valencia • BS5852 Sch. 5 Part 1 Cava 3 Clara Canvas Divina MD Divina Melange 2 Divina 3 Soft leather Elmosoft Hallingdal 65 Soft leather Remix 2 Savanna Steelcut 2 Steelcut Trio 2 Steelcut Trio 3 Tonus 4 Faux leather Valencia • EN 1021 - 1 Divina MD Divina Melange 2 Divina 3 Soft leather Elmosoft Field Hallingdal 65 Pro 3 Soft leather • EN 1021 - 2 Divina MD Divina Melange 2 Divina 3 Soft leather Elmosoft Field Hallingdal 65 Pro 3 Soft leather

## ENVIRONMENTAL CERTIFICATIONS



## Stackability:

- With stacking protection pad: up to 8 pcs. (should the weight exceed 25 kilos a handling tool must be used).
- With stacking protection pad and trolley: up to 8 pcs.
- Soft leather - faux leather versions: max. 5 pcs. with stacking pad

arper

F +39 0422 791800

T +39 0422 7918

www.arper.com

# Catifa 46

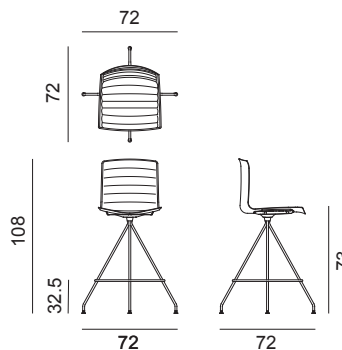
Design by Lievore Altherr Molina, 2013

## Art. 0323

High stool on swivelling, chromed steel base. The polypropylene shell with high backrest is upholstered with a removable non-washable cover in leather, faux leather, fabric or customer's own material. The chair is provided already fitted with the cover. Seat height 73 cm. Backrest height 108 cm.



### Dimensions \*



\* File CAD 2D - 3D available for download at [www.arper.com](http://www.arper.com)

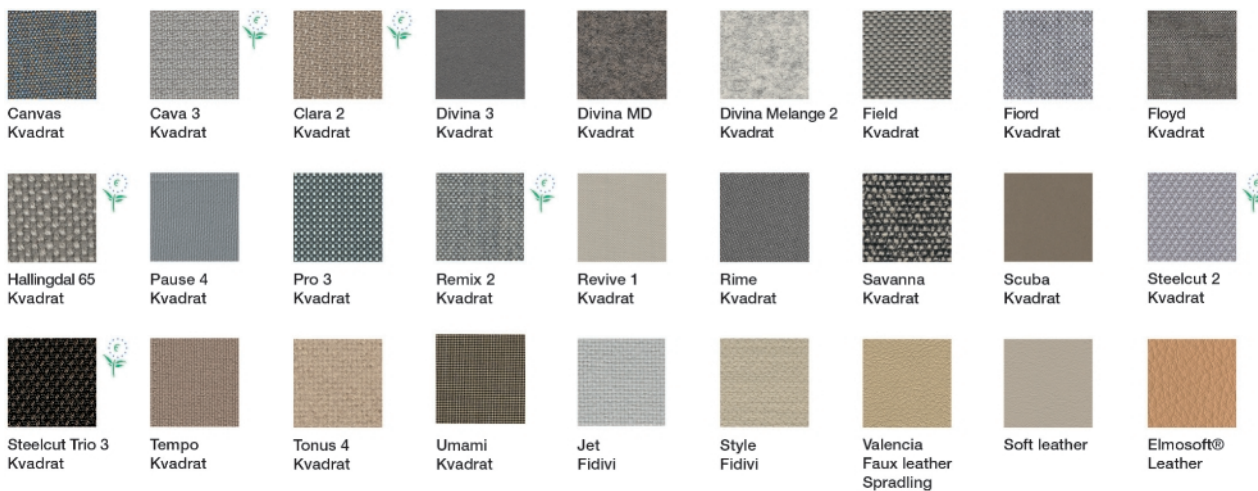
### Frame Base



CRO

### Shell

#### Carded In



#### Graded In

**kvadrat**

**camira**



DESIGN  
TEX



**Gabriel**



**svensson**

**maharam**

**Serge Ferrari**

# Catifa 46

Design by Lievore Altherr Molina, 2013

## Accessories:



Set of glides Art. 2015

## SHIPMENT DETAILS

### Art.0323

1 pz = 2 - kg 14,76/ m<sup>2</sup> 0,32

4 pz = 5 - kg 57,04/ m<sup>2</sup> 1

## TECHNICAL SPECIFICATIONS

### Art.0323

COL requirement m<sup>2</sup> 1,98

H 140 cm. COM Meterage ml 1,08

The cover stitching comes in the same color as the upholstery. Stitching on cover 1 and 3 comes in white or black, to customer's choice.

## RESISTANCE TEST

- EN 1728:2012 - EN 16139:2013 6.17
- EN 1728:2012 - EN 16139:2013 6.21
- EN 1728:2012 - EN 16139:2013 6. 4
- EN 1728:2012 - EN 16139:2013 6. 8

- EN 1728:2012 - EN 16139:2013 6.18
- EN 1728:2012 - EN 16139:2013 6.24
- EN 1728:2012 - EN 16139:2013 6. 5

## FIRE RETARDANT TEST

Classe 1M Cava 3 Divina MD Divina Melange 2 Divina 3 Hallingdal 65 Pro 3 Soft leather Tonus 4 Faux leather Valencia • California TB117-2013 Cava 3 Clara Canvas Divina MD Divina Melange 2 Divina 3 Soft leather Elmosoft Field Hallingdal 65 Jet Jumper 3 Pro 3 Soft leather Remix 2 Savanna Steelcut 2 Scuba Steelcut Trio 2 Steelcut Trio 3 Sunniva Sunniva 2 Tonus 4 Tempo Faux leather Valencia • BS5852 Sch. 4 Part 1 Cava 3 Divina MD Divina Melange 2 Divina 3 Soft leather Elmosoft Hallingdal 65 Pro 3 Tonus 4 Faux leather Valencia • BS5852 Sch. 5 Part 1 Cava 3 Clara Canvas Divina MD Divina Melange 2 Divina 3 Soft leather Elmosoft Hallingdal 65 Soft leather Remix 2 Savanna Steelcut 2 Steelcut Trio 2 Steelcut Trio 3 Tonus 4 Faux leather Valencia • EN 1021 - 1 Divina MD Divina Melange 2 Divina 3 Soft leather Elmosoft Field Hallingdal 65 Pro 3 Soft leather • EN 1021 - 2 Divina MD Divina Melange 2 Divina 3 Soft leather Elmosoft Field Hallingdal 65 Pro 3 Soft leather

## ENVIRONMENTAL CERTIFICATIONS



arper

F +39 0422 791800

T +39 0422 7918

www.arper.com



# Catifa 46

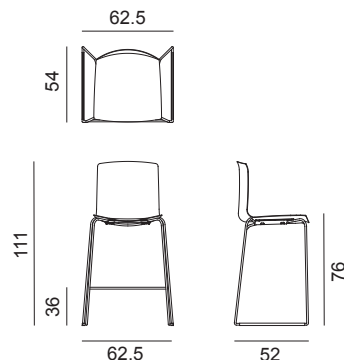
Design by Lievore Altherr Molina, 2004

## Art. 0471

Stool with chromed or powdercoated steel sled base and shell in single-colour polypropylene, bi-colour polypropylene or upholstered in hard leather grade 1 (CT) or hard leather grade 2 (CU). Seat height 76 cm. Glides for wooden floors available upon request.



### Dimensions \*



\* File CAD 2D - 3D available for download at [www.arper.com](http://www.arper.com)

### Frame Base



CRO

V12  
matt

V39  
matt

### Shell

#### Polypropylene



PO  
Polypropylene  
two colors

PO  
Polypropylene  
one color

#### Hard leather Grade 1 and Grade 2



CT

CU

arper

F +39 0422 791800

T +39 0422 7918

[www.arper.com](http://www.arper.com)

# Catifa 46

Design by Lievore Altherr Molina, 2004

## Accessories:



Cushion Art. 0261



Stacking protection pad Art. 0262



Trolley Art. 0760

## SHIPMENT DETAILS

### Art.0471

1 pz = 2 - kg 11,7/ m<sup>2</sup> 0,35

4 pz = 2 - kg 39/ m<sup>2</sup> 0,43

## RESISTANCE TEST

- EN 1728:2000 - EN 15373:2007 6.12
- EN 1728:2000 - EN 15373:2007 6.2.1
- EN 1728:2000 - EN 15373:2007 6.4
- EN 1728:2000 - EN 15373:2007 6.8
- EN 15373:2007 A.5
- EN 1728:2000 - EN 15373:2007 6.13
- EN 1728:2000 - EN 15373:2007 6.2.2
- EN 1728:2000 - EN 15373:2007 6.7
- ANSI-BIFMA X5.1-2002 12

## ENVIRONMENTAL CERTIFICATIONS



## TECHNICAL SPECIFICATIONS

### Art.0471

Frame base finishes: indoor use only

## FIRE RETARDANT TEST

BS5852/90 Sez.5 cigarette match polypropylene • Classe 1 polypropylene • EN 1021 -1/2 polypropylene • M2 polypropylene • California TB133 polypropylene • BS5852 Sch. 5 Part 1 CT CU

## Stackability:

- Up to 10 pcs. (should the weight exceed 25 kilos a handling tool must be used).
- With trolley: up to 10 pcs.
- CT/CU versions: max. 5 pcs. With stacking pad.

arper

F +39 0422 791800

T +39 0422 7918

www.arper.com

# Catifa 46

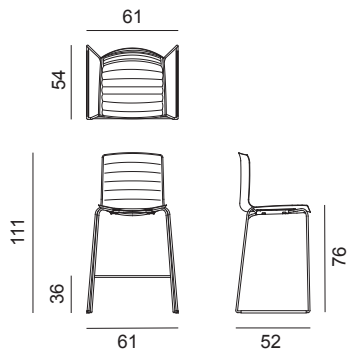
Design by Lievore Altherr Molina, 2004

## Art. 0473

Stool with chromed or powdercoated steel sled base and polypropylene shell upholstered in leather, faux leather, fabric or customer's own material. Seat height 76 cm. Glides for wooden floors available upon request.



### Dimensions \*



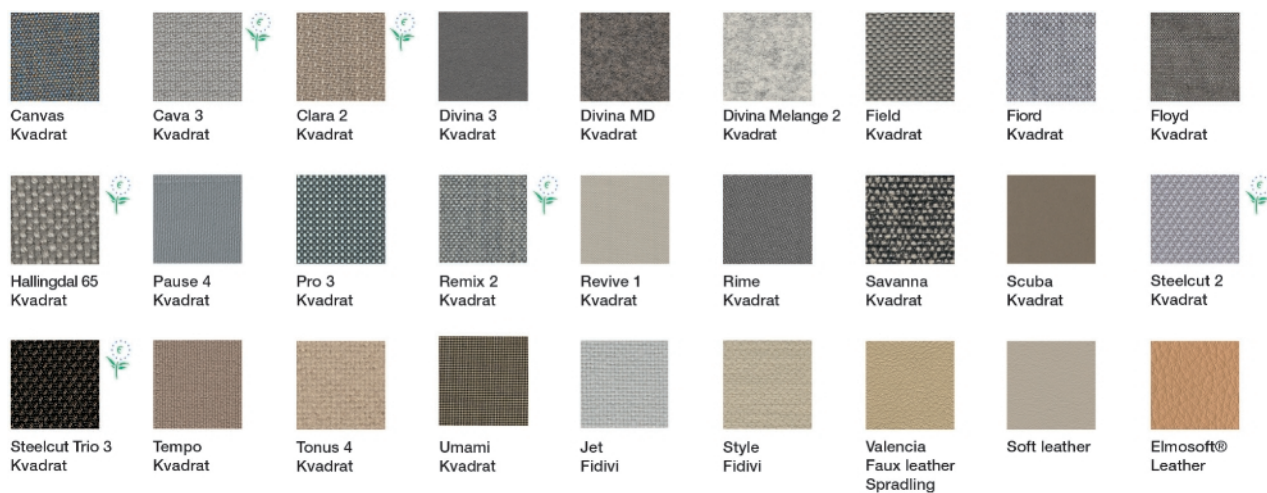
\* File CAD 2D - 3D available for download at [www.arper.com](http://www.arper.com)

### Frame Base



### Shell

#### Carded In



#### Graded In

**kvadrat**

**camira**



DESIGN  
TEX



**Gabriel**



**svensson**

**maharam**

**SergeFerrari**

# Catifa 46

Design by Lievore Altherr Molina, 2004

## Accessories:



Stacking protection pad Art. 0499



Trolley Art. 0760

## SHIPMENT DETAILS

### Art.0473

1 pz = 2 - kg 13/ m<sup>2</sup> 0,37

4 pz = 2 - kg 45/ m<sup>2</sup> 0,49

## TECHNICAL SPECIFICATIONS

### Art.0473

COL requirement m<sup>2</sup> 1,67

H 140 cm. COM Meterage ml 1.1

Line detail stitching.

Frame base finishes: indoor use only

## RESISTANCE TEST

- EN 1728:2000 - EN 15373:2007 6.12
- EN 1728:2000 - EN 15373:2007 6.2.1
- EN 1728:2000 - EN 15373:2007 6.4
- EN 1728:2000 - EN 15373:2007 6.8
- EN 15373:2007 A.5

- EN 1728:2000 - EN 15373:2007 6.13
- EN 1728:2000 - EN 15373:2007 6.2.2
- EN 1728:2000 - EN 15373:2007 6.7
- ANSI-BIFMA X5.1-2002 12

## FIRE RETARDANT TEST

Classe 1M Cava 3 Divina MD Divina Melange 2 Divina 3 Hallingdal 65 Pro 3 Soft leather Tonus 4 Faux leather Valencia • California TB117-2013 Cava 3 Clara Canvas Divina MD Divina Melange 2 Divina 3 Soft leather Elmosoft Field Hallingdal 65 Jet Jumper 3 Pro 3 Soft leather Remix 2 Savanna Steelcut 2 Scuba Steelcut Trio 2 Steelcut Trio 3 Sunniva Sunniva 2 Tonus 4 Tempo Faux leather Valencia • BS5852 Sch. 4 Part 1 Cava 3 Divina MD Divina Melange 2 Divina 3 Soft leather Elmosoft Hallingdal 65 Pro 3 Tonus 4 Faux leather Valencia • BS5852 Sch. 5 Part 1 Cava 3 Clara Canvas Divina MD Divina Melange 2 Divina 3 Soft leather Elmosoft Hallingdal 65 Soft leather Remix 2 Savanna Steelcut 2 Steelcut Trio 2 Steelcut Trio 3 Tonus 4 Faux leather Valencia • EN 1021 - 1 Divina MD Divina Melange 2 Divina 3 Soft leather Elmosoft Field Hallingdal 65 Pro 3 Soft leather • EN 1021 - 2 Divina MD Divina Melange 2 Divina 3 Soft leather Elmosoft Field Hallingdal 65 Pro 3 Soft leather

## ENVIRONMENTAL CERTIFICATIONS



## Stackability:

- With stacking protection pad: up to 8 pcs. (should the weight exceed 25 kilos a handling tool must be used).
- With stacking protection pad and trolley: up to 8 pcs.
- Soft leather - faux leather versions: max. 5 pcs. with stacking pad

arper

F +39 0422 791800

T +39 0422 7918

www.arper.com

# Catifa 46

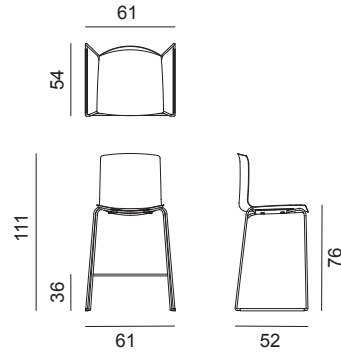
Design by Lievore Altherr Molina, 2004

## Art. 0478

Stool with chromed or powdercoated steel sled base and polypropylene shell front upholstery in leather, faux leather, fabric or customer's own materials. Seat height 76 cm. Glides for wooden floors available upon request.



### Dimensions \*



\* File CAD 2D - 3D available for download at [www.arper.com](http://www.arper.com)

### Frame Base



### Shell

#### Polypropylene



PO  
Polypropylene  
one color

#### Carded In



#### Graded In

**kvadrat**

**camira**



DESIGN  
TEX



**Gabriel**



**svensson**

**maharam**

**Serge Ferrari**

# Catifa 46

Design by Lievore Altherr Molina, 2004

## Accessories:



Stacking protection pad Art. 0499



Trolley Art. 0760

## SHIPMENT DETAILS

### Art.0478

1 pz = 2 - kg 14,4/ m<sup>2</sup> 0,38

4 pz = 2 - kg 46,44/ m<sup>2</sup> 0,5

## TECHNICAL SPECIFICATIONS

### Art.0478

COL requirement m<sup>2</sup> 0,84

H 140 cm. COM Meterage ml 0,65

Frame base finishes: indoor use only

## RESISTANCE TEST

- EN 1728:2000 - EN 15373:2007 6.12
- EN 1728:2000 - EN 15373:2007 6.2.1
- EN 1728:2000 - EN 15373:2007 6.4
- EN 1728:2000 - EN 15373:2007 6.8
- EN 15373:2007 A.5
- EN 1728:2000 - EN 15373:2007 6.13
- EN 1728:2000 - EN 15373:2007 6.2.2
- EN 1728:2000 - EN 15373:2007 6.7
- ANSI-BIFMA X5.1-2002 12

## FIRE RETARDANT TEST

Classe 1IM Cava 3 Divina MD Divina Melange 2 Divina 3 Hallingdal 65 Pro 3 Soft leather Tonus 4 Faux leather Valencia • California TB117-2013 Cava 3 Clara Canvas Divina MD Divina Melange 2 Divina 3 Soft leather Elmosoft Field Hallingdal 65 Jet Jumper 3 Pro 3 Soft leather Remix 2 Savanna Steelcut 2 Scuba Steelcut Trio 2 Steelcut Trio 3 Sunniva Sunniva 2 Tonus 4 Tempo Faux leather Valencia • BS5852 Sch. 4 Part 1 Cava 3 Divina MD Divina Melange 2 Divina 3 Soft leather Elmosoft Hallingdal 65 Pro 3 Tonus 4 Faux leather Valencia • BS5852 Sch. 5 Part 1 Cava 3 Clara Canvas Divina MD Divina Melange 2 Divina 3 Soft leather Elmosoft Hallingdal 65 Soft leather Remix 2 Savanna Steelcut 2 Steelcut Trio 2 Steelcut Trio 3 Tonus 4 Faux leather Valencia • EN 1021 - 1 Divina MD Divina Melange 2 Divina 3 Soft leather Elmosoft Field Hallingdal 65 Pro 3 Soft leather • EN 1021 - 2 Divina MD Divina Melange 2 Divina 3 Soft leather Elmosoft Field Hallingdal 65 Pro 3 Soft leather

## ENVIRONMENTAL CERTIFICATIONS



## Stackability:

- With stacking protection pad: up to 8 pcs. (should the weight exceed 25 kilos a handling tool must be used).
- With stacking protection pad and trolley: up to 8 pcs.
- Soft leather - faux leather versions: max. 5 pcs. with stacking pad

arper

F +39 0422 791800

T +39 0422 7918

www.arper.com

# Catifa 46

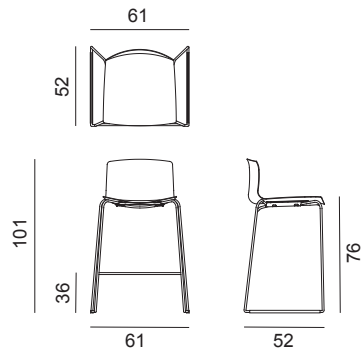
Design by Lievore Altherr Molina, 2004

## Art. 0481

Stool with chromed or powdercoated steel sled base and polypropylene shell upholstered in hard leather grade 1 (CT) or hard leather grade 2 (CU). Seat height 76 cm. Glides for wooden floors available upon request.



### Dimensions \*



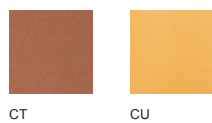
\* File CAD 2D - 3D available for download at [www.arper.com](http://www.arper.com)

### Frame Base



### Shell

#### Hard leather Grade 1 and Grade 2



arper

F +39 0422 791800

T +39 0422 7918

[www.arper.com](http://www.arper.com)

# Catifa 46

Design by Lievore Altherr Molina, 2004

---

## Accessories:



Stacking protection pad Art. 0262





Trolley Art. 0760

---

## SHIPMENT DETAILS

### Art.0481

1 pz = 2  - kg 12,2/ m<sup>2</sup> 0,34

4 pz = 2  - kg 41,5/ m<sup>2</sup> 0,45

---

## RESISTANCE TEST

---

## ENVIRONMENTAL CERTIFICATIONS



---

## TECHNICAL SPECIFICATIONS

### Art.0481

Frame base finishes: indoor use only

---

## FIRE RETARDANT TEST

BS5852 Sch. 5 Part 1 CT CU

---

## Stackability:

- With stacking protection pad: up to 5 pcs. (should the weight exceed 25 kilos a handling tool must be used).
- With stacking protection pad and trolley: up to 5 pcs.

arper

F +39 0422 791800

T +39 0422 7918

www.arper.com



# Catifa 46

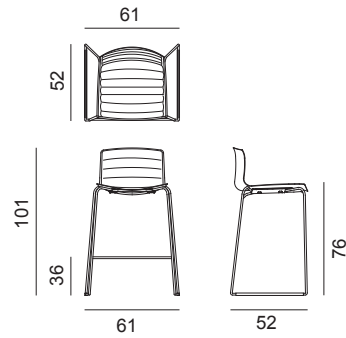
Design by Lievore Altherr Molina, 2004

## Art. 0483

Stool with chromed or powdercoated steel sled base and shell upholstered in leather, faux leather, fabric or customer's own material. Seat height 76 cm. Glides for wooden floors available upon request.



### Dimensions \*



\* File CAD 2D - 3D available for download at [www.arper.com](http://www.arper.com)

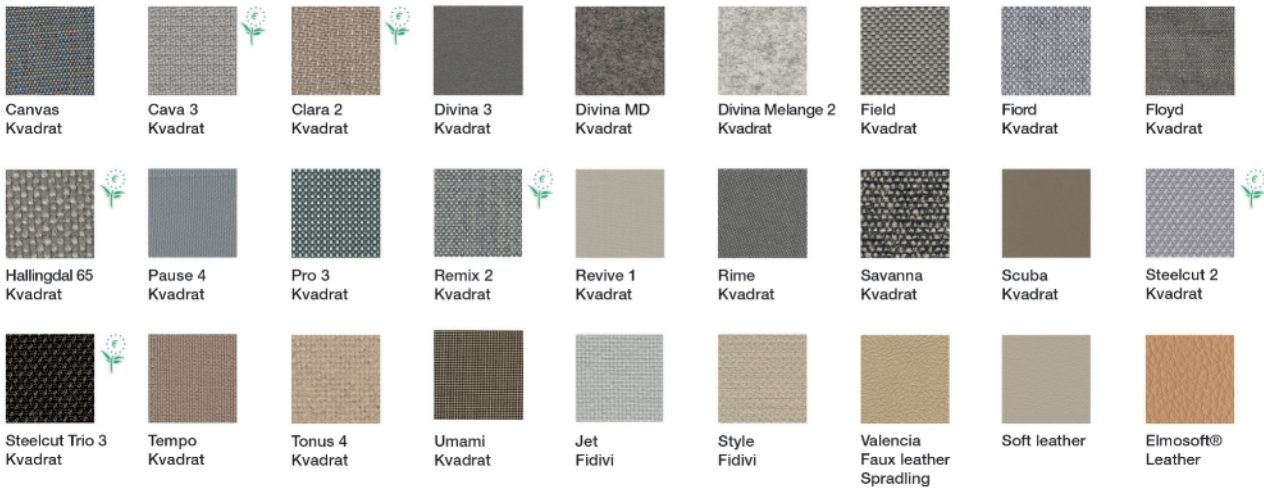
### Frame Base



arper

### Shell

#### Carded In



#### Graded In

**kvadrat**

**camira**



DESIGN  
TEX



**Gabriel**



**svensson**

**maharam**

**Serge Ferrari**

# Catifa 46

Design by Lievore Altherr Molina, 2004

## Accessories:



Stacking protection pad Art. 0499



Trolley Art. 0760

## SHIPMENT DETAILS

### Art.0483

1 pz = 2 - kg 12,2/ m<sup>2</sup> 0,34

4 pz = 2 - kg 41,5/ m<sup>2</sup> 0,45

## TECHNICAL SPECIFICATIONS

### Art.0483

COL requirement m<sup>2</sup> 1,67

H 140 cm. COM Meterage ml 0.99

Line detail stitching.

Frame base finishes: indoor use only

## RESISTANCE TEST

## FIRE RETARDANT TEST

Classe 1M Cava 3 Divina MD Divina Melange 2 Divina 3 Hallingdal 65 Pro 3 Soft leather Tonus 4 Faux leather Valencia • California TB117-2013 Cava 3 Clara Canvas Divina MD Divina Melange 2 Divina 3 Soft leather Elmosoft Field Hallingdal 65 Jet Jumper 3 Pro 3 Soft leather Remix 2 Savanna Steelcut 2 Scuba Steelcut Trio 2 Steelcut Trio 3 Sunniva Sunniva 2 Tonus 4 Tempo Faux leather Valencia • BS5852 Sch. 4 Part 1 Cava 3 Divina MD Divina Melange 2 Divina 3 Soft leather Elmosoft Hallingdal 65 Pro 3 Tonus 4 Faux leather Valencia • BS5852 Sch. 5 Part 1 Cava 3 Clara Canvas Divina MD Divina Melange 2 Divina 3 Soft leather Elmosoft Hallingdal 65 Soft leather Remix 2 Savanna Steelcut 2 Steelcut Trio 2 Steelcut Trio 3 Tonus 4 Faux leather Valencia • EN 1021 - 1 Divina MD Divina Melange 2 Divina 3 Soft leather Elmosoft Field Hallingdal 65 Pro 3 Soft leather • EN 1021 - 2 Divina MD Divina Melange 2 Divina 3 Soft leather Elmosoft Field Hallingdal 65 Pro 3 Soft leather

## ENVIRONMENTAL CERTIFICATIONS



## Stackability:

- With stacking protection pad: up to 8 pcs. (should the weight exceed 25 kilos a handling tool must be used).
- With stacking protection pad and trolley: up to 8 pcs.
- Soft leather - faux leather versions: max. 5 pcs. with stacking pad

arper

F +39 0422 791800

T +39 0422 7918

www.arper.com

# Catifa 46

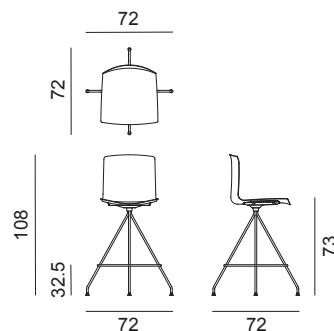
Design by Lievore Altherr Molina, 2004

## Art. 0487

High stool on swivelling, chromed steel base. The shell with high backrest is in one colour polypropylene, two colours polypropylene, covered in hard leather grade 1 (CT) and hard leather grade 2 (CU). Seat height 73 cm. Backrest height 108 cm.



## Dimensions \*



\* File CAD 2D - 3D available for download at [www.arper.com](http://www.arper.com)

## Frame Base



CRO

## Shell

### Polypropylene



PO  
Polypropylene  
two colors



PO  
Polypropylene  
one color

### Hard leather Grade 1 and Grade 2



CT



CU

arper

F +39 0422 791800

T +39 0422 7918

[www.arper.com](http://www.arper.com)

# Catifa 46

Design by Lievore Altherr Molina, 2004

---

## Accessories:



Cushion Art. 0261





Set of glides Art. 2015

---

## SHIPMENT DETAILS

### Art.0487

1 pz = 2  - kg 13,46/ m<sup>2</sup> 0,4

4 pz = 5  - kg 51,04/ m<sup>2</sup> 1,08

---

## RESISTANCE TEST

- EN 1728:2012 - EN 16139:2013 6.17
- EN 1728:2012 - EN 16139:2013 6.21
- EN 1728:2012 - EN 16139:2013 6. 4
- EN 1728:2012 - EN 16139:2013 6. 8
- EN 1728:2012 - EN 16139:2013 6.18
- EN 1728:2012 - EN 16139:2013 6.24
- EN 1728:2012 - EN 16139:2013 6. 5

---

## TECHNICAL SPECIFICATIONS

---

## FIRE RETARDANT TEST

BS5852/90 Sez.5 cigarette match polypropylene • Classe 1  
polypropylene • EN 1021 -1/2 polypropylene • M2 polypropylene •  
California TB133 polypropylene • BS5852 Sch. 5 Part 1 CT CU

---

## ENVIRONMENTAL CERTIFICATIONS



arper

F +39 0422 791800

T +39 0422 7918

www.arper.com

# Catifa 46

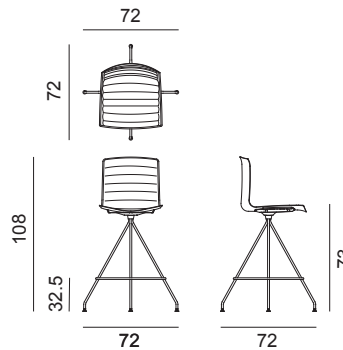
Design by Lievore Altherr Molina, 2004

## Art. 0493

High stool on swivelling, chromed steel base. The shell with high backrest is in polypropylene, upholstered in leather, faux leather, fabric or customer's own material. Seat height 73 cm. Backrest height 108 cm.



### Dimensions \*



\* File CAD 2D - 3D available for download at [www.arper.com](http://www.arper.com)

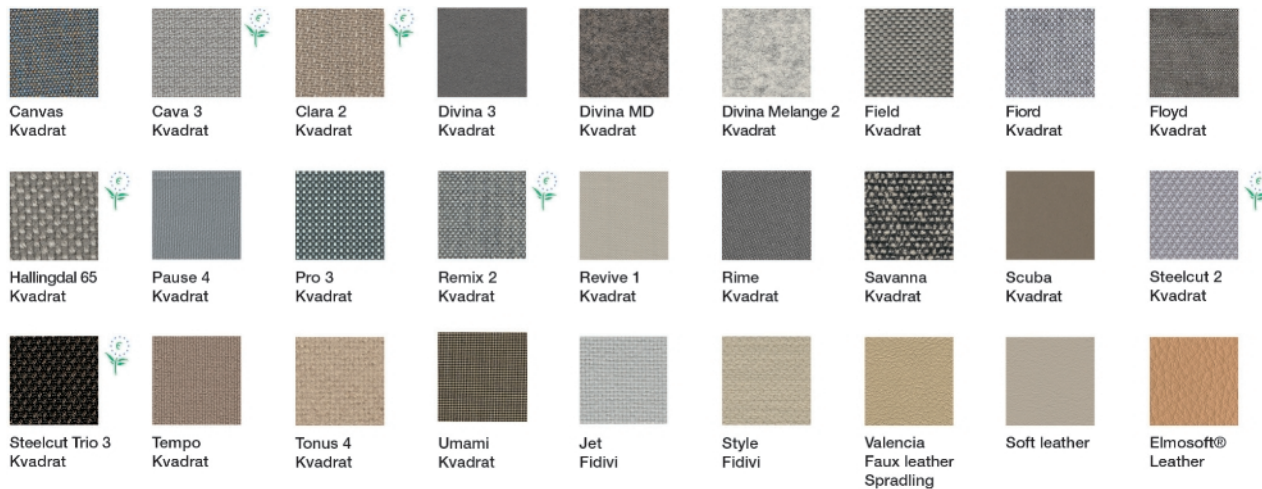
### Frame Base



CRO

### Shell

#### Carded In



#### Graded In

**kvadrat**

**camira**



DESIGN  
TEX



**Gabriel**



**svensson**

**maharam**

**Serge Ferrari**

# Catifa 46

Design by Lievore Altherr Molina, 2004

## Accessories:



Set of glides Art. 2015

## SHIPMENT DETAILS

### Art.0493

1 pz = 2 - kg 14,76/ m<sup>2</sup> 0,32

4 pz = 5 - kg 57,04/ m<sup>2</sup> 1

## TECHNICAL SPECIFICATIONS

### Art.0493

COL requirement m<sup>2</sup> 1,67

H 140 cm. COM Meterage ml 1.1

Line detail stitching

## RESISTANCE TEST

- EN 1728:2012 - EN 16139:2013 6.17
- EN 1728:2012 - EN 16139:2013 6.21
- EN 1728:2012 - EN 16139:2013 6.4
- EN 1728:2012 - EN 16139:2013 6.8

- EN 1728:2012 - EN 16139:2013 6.18
- EN 1728:2012 - EN 16139:2013 6.24
- EN 1728:2012 - EN 16139:2013 6.5

## FIRE RETARDANT TEST

Classe 1IM Cava 3 Divina MD Divina Melange 2 Divina 3 Hallingdal 65 Pro 3 Soft leather Tonus 4 Faux leather Valencia • California TB117-2013 Cava 3 Clara Canvas Divina MD Divina Melange 2 Divina 3 Soft leather Elmosoft Field Hallingdal 65 Jet Jumper 3 Pro 3 Soft leather Remix 2 Savanna Steelcut 2 Scuba Steelcut Trio 2 Steelcut Trio 3 Sunniva Sunniva 2 Tonus 4 Tempo Faux leather Valencia • BS5852 Sch. 4 Part 1 Cava 3 Divina MD Divina Melange 2 Divina 3 Soft leather Elmosoft Hallingdal 65 Pro 3 Tonus 4 Faux leather Valencia • BS5852 Sch. 5 Part 1 Cava 3 Clara Canvas Divina MD Divina Melange 2 Divina 3 Soft leather Elmosoft Hallingdal 65 Soft leather Remix 2 Savanna Steelcut 2 Steelcut Trio 2 Steelcut Trio 3 Tonus 4 Faux leather Valencia • EN 1021 - 1 Divina MD Divina Melange 2 Divina 3 Soft leather Elmosoft Field Hallingdal 65 Pro 3 Soft leather • EN 1021 - 2 Divina MD Divina Melange 2 Divina 3 Soft leather Elmosoft Field Hallingdal 65 Pro 3 Soft leather

## ENVIRONMENTAL CERTIFICATIONS



arper

F +39 0422 791800

T +39 0422 7918

www.arper.com

# Catifa 46

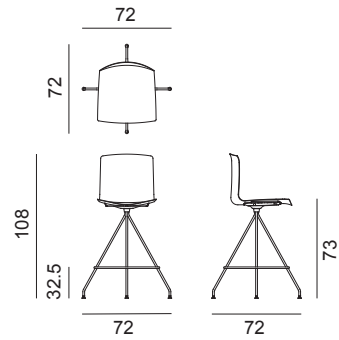
Design by Lievore Altherr Molina, 2004

## Art. 0497

High stool on swivelling, chromed steel base. Polypropylene shell with high backrest and front upholstery in leather, faux leather, fabric or customer's own material. Seat height 73 cm. Backrest height 108 cm.



### Dimensions \*



\* File CAD 2D - 3D available for download at [www.arper.com](http://www.arper.com)

### Frame Base



CRO

### Shell

#### Polypropylene



PO  
Polypropylene  
one color

#### Carded In



Canvas  
Kvadrat



Cava 3  
Kvadrat



Clara 2  
Kvadrat



Divina 3  
Kvadrat



Divina MD  
Kvadrat



Divina Melange 2  
Kvadrat



Field  
Kvadrat



Fiord  
Kvadrat



Floyd  
Kvadrat



Hallingdal 65  
Kvadrat



Pause 4  
Kvadrat



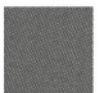
Pro 3  
Kvadrat



Remix 2  
Kvadrat



Revive 1  
Kvadrat



Rime  
Kvadrat



Savanna  
Kvadrat



Scuba  
Kvadrat



Steelcut 2  
Kvadrat



Steelcut Trio 3  
Kvadrat



Tempo  
Kvadrat



Tonus 4  
Kvadrat



Umami  
Kvadrat



Jet  
Fidivi



Style  
Fidivi



Valencia  
Faux leather  
Spradling



Soft leather



Elmosoft®  
Leather

#### Graded In

**kvadrat**

**camira**



DESIGN  
TEX



**Gabriel**



**svensson**

**maharam**

**Serge Ferrari**

# Catifa 46

Design by Lievore Altherr Molina, 2004


## Accessories:




Set of glides Art. 2015

## SHIPMENT DETAILS

### Art.0497

1 pz = 2  - kg 16,16/ m<sup>2</sup> 0,33

4 pz = 5  - kg 58,48/ m<sup>2</sup> 1,01

## TECHNICAL SPECIFICATIONS

### Art.0497

COL requirement m<sup>2</sup> 0,84

H 140 cm. COM Meterage ml 0.65

## RESISTANCE TEST

- EN 1728:2012 - EN 16139:2013 6.17
- EN 1728:2012 - EN 16139:2013 6.21
- EN 1728:2012 - EN 16139:2013 6. 4
- EN 1728:2012 - EN 16139:2013 6. 8
- EN 1728:2012 - EN 16139:2013 6.18
- EN 1728:2012 - EN 16139:2013 6.24
- EN 1728:2012 - EN 16139:2013 6. 5

## FIRE RETARDANT TEST

Classe 1IM Cava 3 Divina MD Divina Melange 2 Divina 3 Hallingdal 65 Pro 3 Soft leather Tonus 4 Faux leather Valencia • California TB117-2013 Cava 3 Clara Canvas Divina MD Divina Melange 2 Divina 3 Soft leather Elmosoft Field Hallingdal 65 Jet Jumper 3 Pro 3 Soft leather Remix 2 Savanna Steelcut 2 Scuba Steelcut Trio 2 Steelcut Trio 3 Sunniva Sunniva 2 Tonus 4 Tempo Faux leather Valencia • BS5852 Sch. 4 Part 1 Cava 3 Divina MD Divina Melange 2 Divina 3 Soft leather Elmosoft Hallingdal 65 Pro 3 Tonus 4 Faux leather Valencia • BS5852 Sch. 5 Part 1 Cava 3 Clara Canvas Divina MD Divina Melange 2 Divina 3 Soft leather Elmosoft Hallingdal 65 Soft leather Remix 2 Savanna Steelcut 2 Steelcut Trio 2 Steelcut Trio 3 Tonus 4 Faux leather Valencia • EN 1021 - 1 Divina MD Divina Melange 2 Divina 3 Soft leather Elmosoft Field Hallingdal 65 Pro 3 Soft leather • EN 1021 - 2 Divina MD Divina Melange 2 Divina 3 Soft leather Elmosoft Field Hallingdal 65 Pro 3 Soft leather

## ENVIRONMENTAL CERTIFICATIONS



arper

F +39 0422 791800

T +39 0422 7918

www.arper.com



# Catifa 46

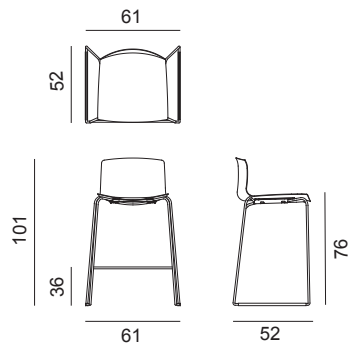
Design by Lievore Altherr Molina, 2004

## Art. 0571

Stool with chromed or powdercoated steel sled base and wood shell available in three colours (natural oak, bleached oak, wengé). Seat height 76 cm. Glides for wooden floors available upon request.

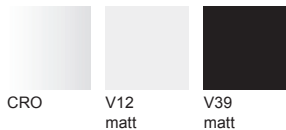


### Dimensions \*



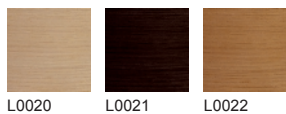
\* File CAD 2D - 3D available for download at [www.arper.com](http://www.arper.com)

### Frame Base



### Shell

#### Wood



arper

F +39 0422 791800

T +39 0422 7918

[www.arper.com](http://www.arper.com)

# Catifa 46

Design by Lievore Altherr Molina, 2004

## Accessories:



Cushion Art. 0261




Stacking protection glide Art. 0286




Trolley Art. 0760

## SHIPMENT DETAILS

### Art.0571

1 pz = 2  - kg 10,9/ m<sup>2</sup> 0,35

4 pz = 2  - kg 35,82/ m<sup>2</sup> 0,44

## RESISTANCE TEST

- EN 1728:2000 - EN 15373:2007 6.12
- EN 1728:2000 - EN 15373:2007 6.15
- EN 1728:2000 - EN 15373:2007 6.2.1
- EN 1728:2000 - EN 15373:2007 6.4
- EN 1728:2000 - EN 15373:2007 6.8
- EN 15373:2007 A.5
- EN 1728:2000 - EN 15373:2007 6.13
- EN 1728:2000 - EN 15373:2007 6.16
- EN 1728:2000 - EN 15373:2007 6.2.2
- EN 1728:2000 - EN 15373:2007 6.7
- EN 1022:05

## TECHNICAL SPECIFICATIONS

### Art.0571

Frame base finishes: indoor use only

## FIRE RETARDANT TEST

BS5852/90 Sez.5 cigarette match LG • Classe 1 LG

## ENVIRONMENTAL CERTIFICATIONS



### Stackability:

- With stacking glide: up to 10 pcs. (should the weight exceed 25 kilos a handling tool must be used).
- With stacking glide and trolley: up to 10 pcs.

arper

F +39 0422 791800

T +39 0422 7918

www.arper.com